

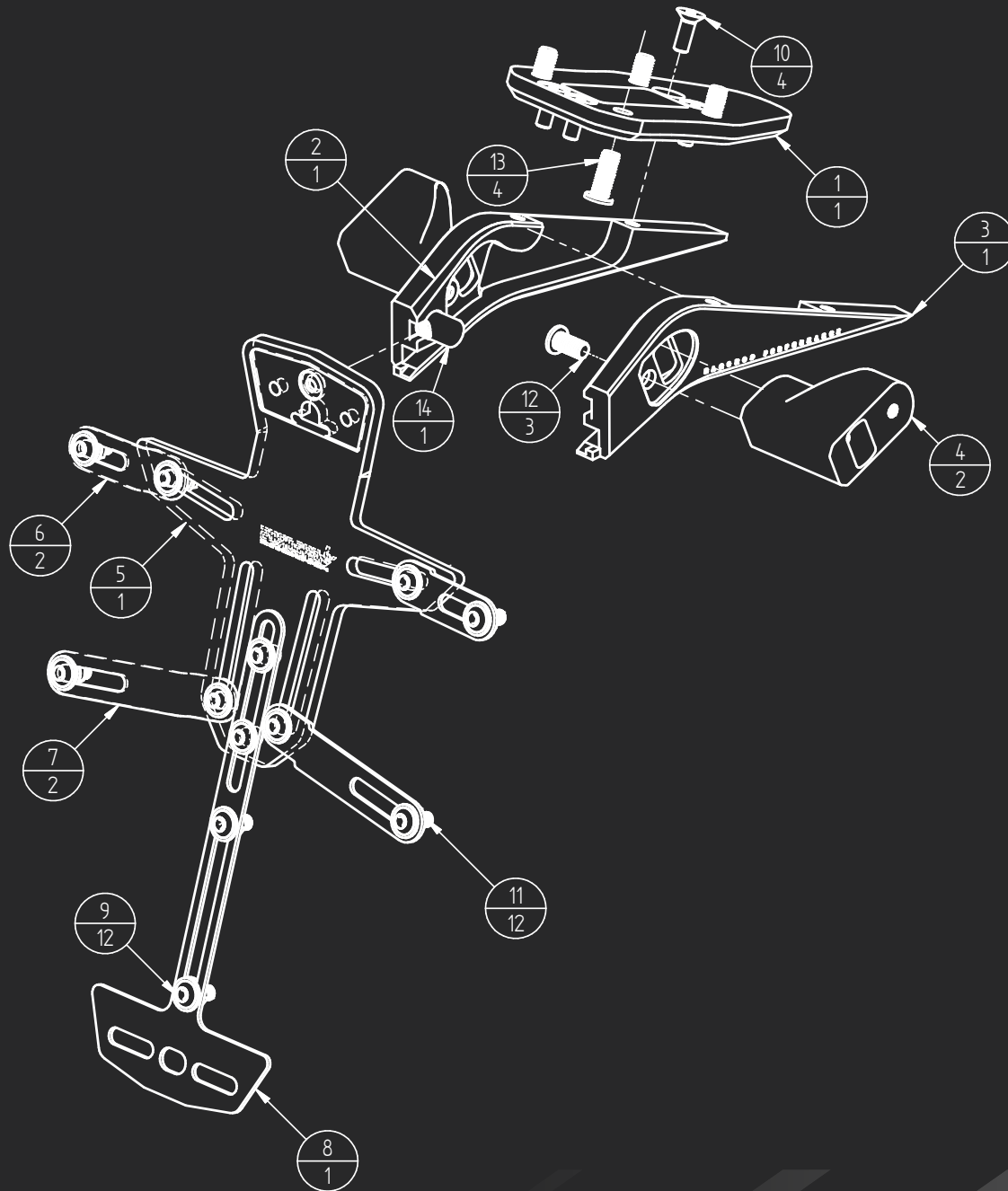


TAIL TIDY

Installation Instructions

KTM SUPERDUKE 1390/DUKE 990 MODEL YEAR 2024+





Item Number	Title	Quantity
1	Main Plate	1
2	Body Left	1
3	Body Right	1
4	Blinker Holder	2
5	Plate Holder	1
6	Licence Plate Extension - Short	2
7	Licence Plate Extension - Long	2
8	Reflector holder	1
9	Bolt M5X12 A2 DIN ISO7380-2	12
10	Bolt M5X14 A2 DIN7991 ISO10642	4
11	Nut M5 A2 DIN6923 ISO4161	12
12	Bolt M6X12 8.8VZ	3
13	Bolt M6X16 8.8VZ	4
14	Barrel Nut M6 F10x20	1

STEP 1

Remove the rear seat, unscrew the 3 wiring cover bolts and unplug the tail connector.

Unscrew the 4 bolts and remove the OEM tail bracket.



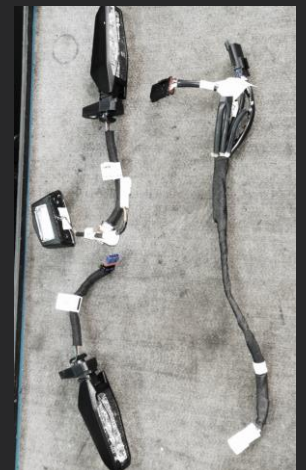
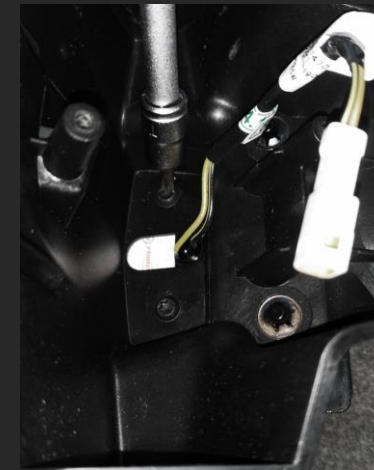
IMPORTANT NOTE : To ensure absolute reliability of the assembly, we strongly advise employing an appropriate thread locker. Please apply the adhesive with care, using it sparingly.

STEP 2

Disassemble OEM license plate holder, as shown in the pictures below.



Unscrew the 2 signal light bolts and turn them to remove. Mark the position of the turn signals (left right) disconnect all connectors and remove the lights from the assembly



IMPORTANT NOTE : To ensure absolute reliability of the assembly, we strongly advise employing an appropriate thread locker. Please apply the adhesive with care, using it sparingly.

STEP 3

Next step, assemble the turn signal assembly, for the indicator use the black OEM bolt. Route the licence plate light trough the plate holder hole. Tighten the turn signal lights, but **DO NOT** tighten the plate light yet. Place the barrel nut in the hole with the thread facing outwards. Connect everything back to the OEM connector and now you are ready for the final steps.



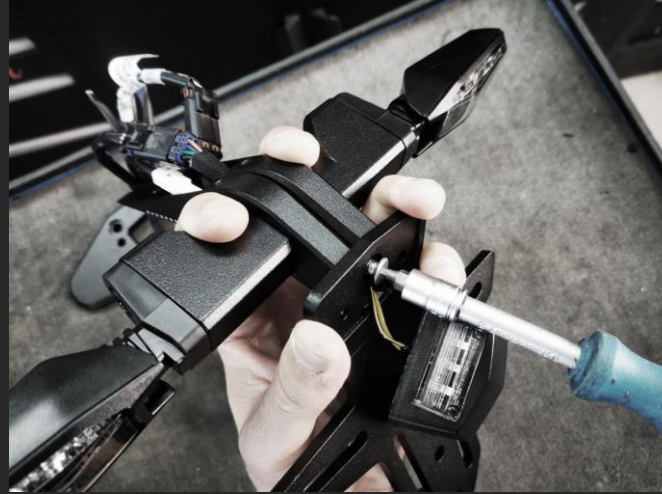
Connect everything back to the OEM connector and now you are ready for the final steps...

STEP 4

In this step, route the cables neatly in to the tail tidy housing. Joint the body left, body right and the plate holder to it's place and tighten it together with the barrel nut and low head bolt.

At this point you don't need to worry about the connectors sticking out.

Now you can also tighten the 2 licence plate light bolts and the 4 main plate bolts.



IMPORTANT NOTE : To ensure absolute reliability of the assembly, we strongly advise employing an appropriate thread locker. Please apply the adhesive with care, using it sparingly.

STEP 5

Now some final touches left...

Neatly insert the connectros in to the assembly like in the first two pictures.

At this point you are ready to mount the tail tidy on the bike. It is a good idea to use a drop of thread locker on the threads.



Connect the wiring and you are good to go !

IMPORTANT NOTE : To ensure absolute reliability of the assembly, we strongly advise employing an appropriate thread locker. Please apply the adhesive with care, using it sparingly.

STEP 6

Congratulations on completing the installation!

We hope this guide has made the process smooth and straightforward for you.

Remember, safety always comes first on the road.

Double-check your work, ensure everything is securely fastened, and enjoy your ride with peace of mind.

Ride safely and enjoy the journey ahead!





IMPORTANT

It is recommended that periodic inspections are made to ensure that all bolts are tightened to the specified torque settings. Should the bike be involved in an accident, a thorough inspection should be made, and any components that have taken an impact, no matter how small, should be replaced.

The manufacturer or supplier cannot be held responsible for products that are incorrectly mounted or inappropriately used.

It is recommended to check all connections regularly for tightness of fit.



<https://bagorosperformance.com/product/tail-tidy-premium-for-ktm-990-duke/>

<https://bagorosperformance.com/product/tail-tidy-premium-1390-super-duke/>

