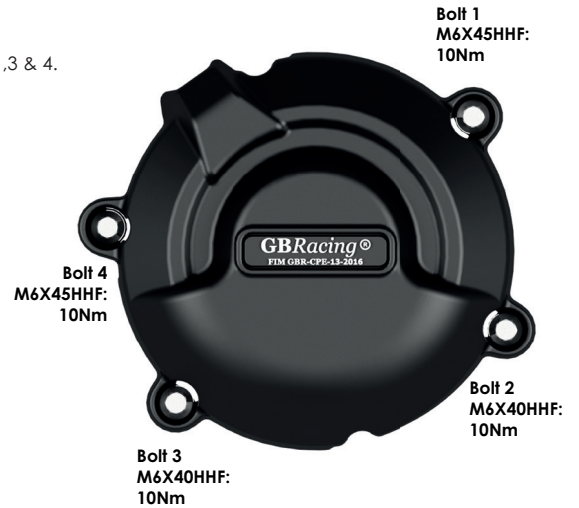
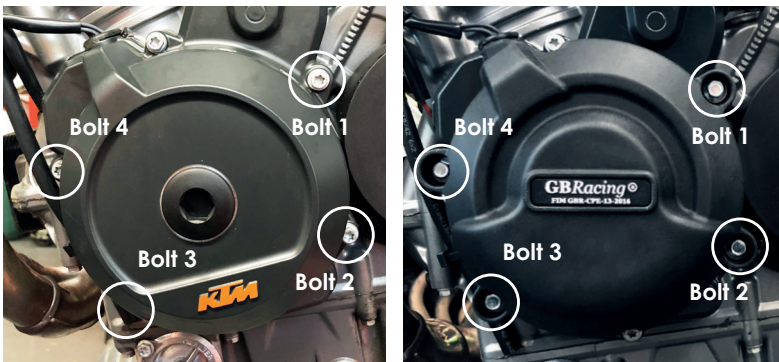


**THIS SHEET INCLUDES FITTING INSTRUCTIONS FOR THE FOLLOWING PARTS:**

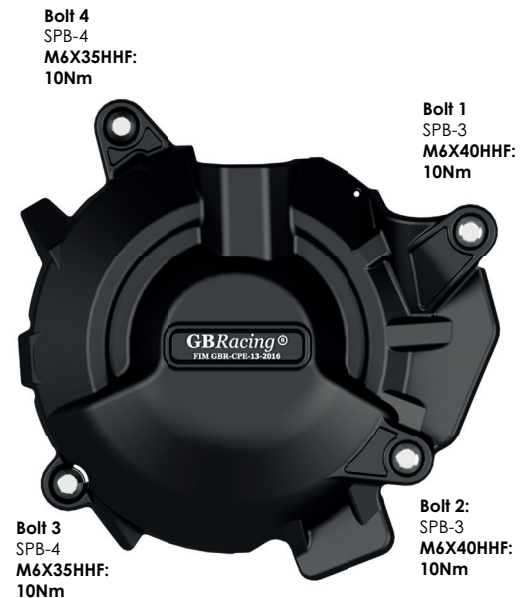
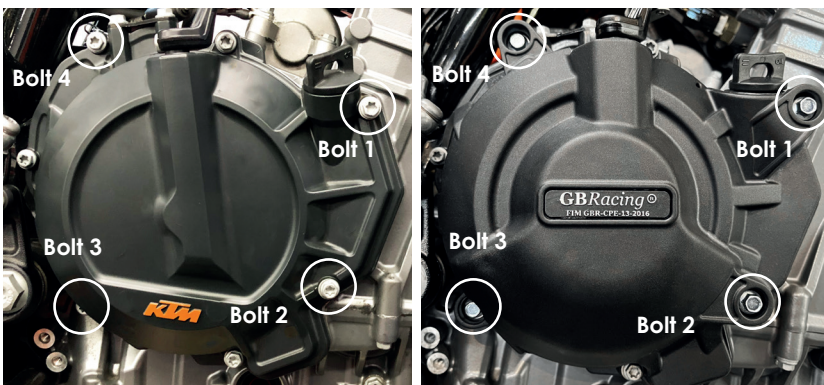
Secondary Alternator Cover Part No. EC-790-2018-1-GBR / Secondary Clutch Cover Part No. EC-890-2020-2-GBR /  
Secondary Water Pump Cover Part No. EC-790-2018-5-GBR

**SECONDARY ALTERNATOR COVER PART NO. EC-790-2018-1-GBR**

- 1 Remove 4 existing bolts from the stock Alternator cover, shown as position Bolt 1, 2, 3 & 4.
- 2 Place the Secondary Alternator Cover over the stock cover.
- 3 Assemble 4 replacement bolts loosely in the correct position as shown.
- 4 Tighten bolts to a Torque of 10Nm as per Manufacturer's recommendations.  
DO NOT OVERTIGHTEN.

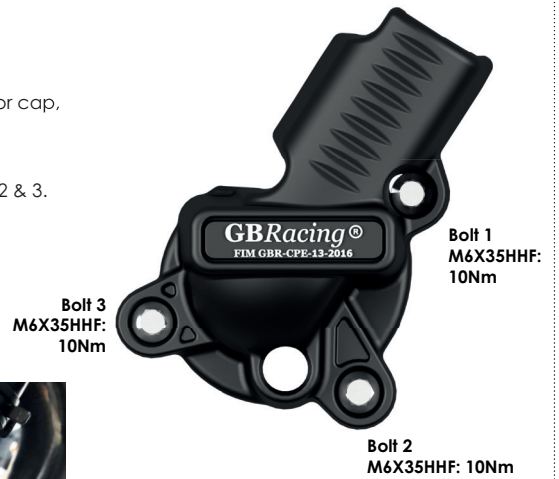
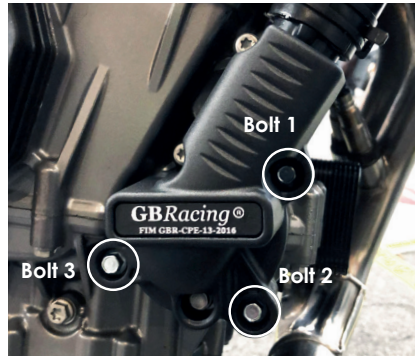
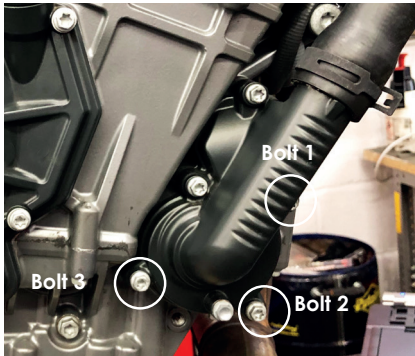
**SECONDARY CLUTCH COVER PART NO. EC-890-2020-2-GBR**

- 1 Remove 4 existing bolts from the stock Clutch cover, shown as position Bolt 1, 2, 3 & 4.
- 2 Place the Secondary Clutch Cover over the stock cover.
- 3 Assemble 4 replacement bolts loosely in the correct position as shown.
- 4 Tighten bolts to a Torque of 10Nm as per Manufacturer's recommendations.  
DO NOT OVERTIGHTEN.



**SECONDARY WATER PUMP COVER PART NO. EC-790-2018-5-GBR**

- 1 Fitting requires a COLD engine.
- 2 Decompress the system before loosening existing stock bolts by removing the radiator cap, **ONLY WHEN ENGINE IS COLD.**
- 3 Have all 3 replacement bolts to hand before removing existing stock bolts.
- 4 Remove 3 existing bolts from the stock water pump cover, shown as position bolts 1, 2 & 3.  
Note: When the water pump bolts are removed there will be slight fluid loss.
- 5 Place the secondary water pump over the stock cover.
- 6 Assemble 3 replacement bolts, loosely in the correct position as shown.
- 7 Tighten bolts to a Torque of 10Nm. **DO NOT OVERTIGHTEN.**
- 8 Check coolant level & top up if necessary before starting engine.

**Engine Cover Set: EC-890-2020-SET-GBR**

EC-790-2018-1-GBR, EC-890-2020-2-GBR, EC-790-2018-5-GBR

[www.GBRacing.eu](http://www.GBRacing.eu)